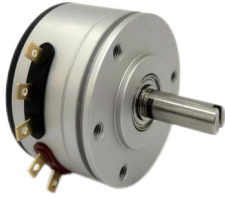
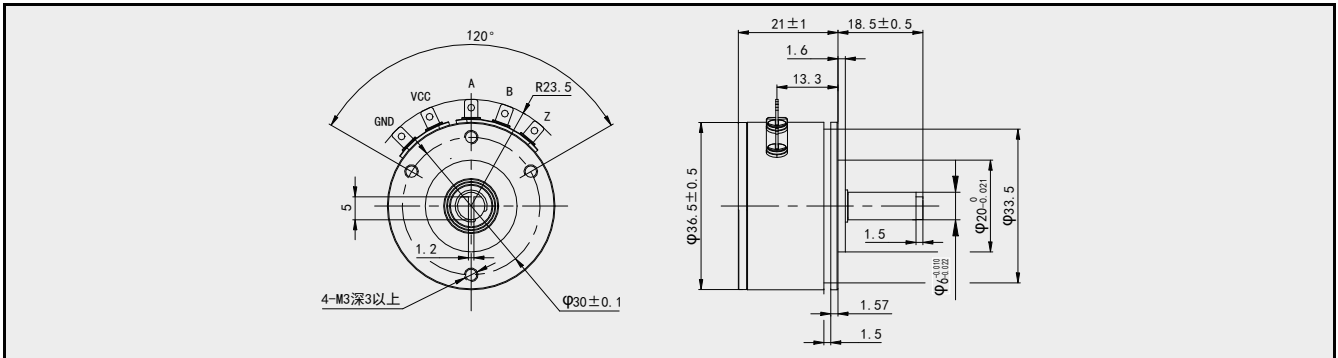


EI35A-C9



- ◆ 磁性编码器 / Magnetic encoders
- ◆ 4096以内任意脉冲都可以设置 / Any PPR up to 4096 can be set
- ◆ 内含一对精密滚珠轴承 / With 1 set of precision ball bearings
- ◆ 螺钉&伺服安装 / Screw&Servo mount

标准尺寸 / Standard Dimensions



选型指导 / Selection Guide

例 / Example : EI35A-C9-W4096-P

E	→ 产品系列 / Series	E	磁性编码器 / Magnetic encoder
I	→ 信号类型 / Signal type	I	增量型 / Incremental signal
35	→ 尺寸系列 / Dimensions	35	壳体外径 Φ35mm / Housing diameter Φ35mm
A	→ 轴型 / Shaft type	A	前出轴 / Front Shaft
C	→ 安装方式 / Installation method	C	螺丝安装(标准) / Screwmount (Standard)
9	→ 连接方式 / Connection method	9	特殊 (片式接线端) / Special (Chip type terminals)
W	→ 输出方向 / Output direction	W	顺时针 / Clockwise
		C	逆时针 / Counterclockwise
4096	→ 脉冲数 / Number of pulses	4096	0001~ 4096 ppr
P	→ 输出方式 / Output characteristics	P	推挽 Push-Pull

一般机械性能 / General Mechanical Specifications

防护等级	Protection degree	IP40
旋转力矩	Operating torque	<1mN·m
最大机械转速	Max.speed	6000rpm
预期寿命	Life expectancy	100,000,000
质量	Mass	Approx.60g
外壳	Housing material	铝合金, 表面阳极氧化 Anodized aluminium alloy
轴	Shaft material	不锈钢 Stainless steel

环境特性 / Environmental Specifications

工作温度	Operating temperature range	-40°C~+125°C
储存温度	Storage temperature range	-40°C~+125°C

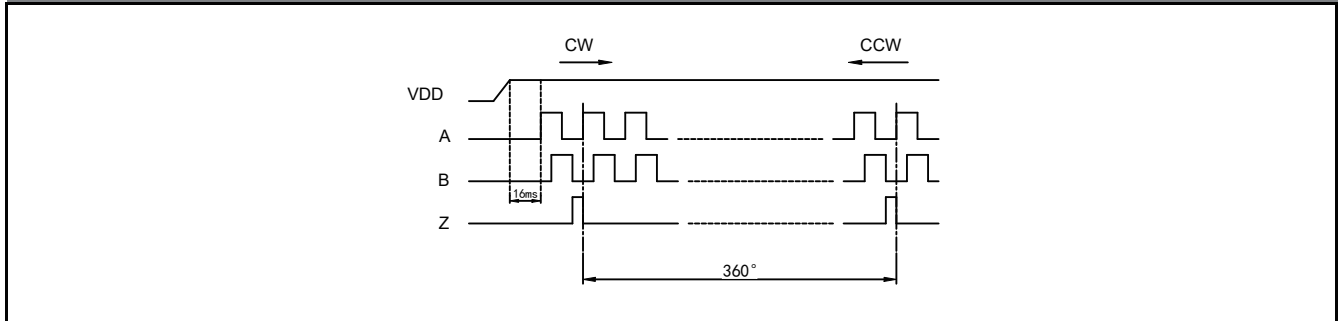
■ 一般电气性能 / General Electrical Specifications

标准型号	Standard model	EI35A-C9-W4096-P
工作电压	Applied voltage	5V-30V
输出高电平	Output high level	>3V
输出低电平	Output low level	<0.25V
输出形式	Output form	推挽输出 (Push-pull output)
输出脉冲数	Number of output pulse	4096 ppr
信号延时	Output propagation delay	<2 μ s
工作电流	Current consumption (no-load)	<20mA

接线说明 / Terminal connection instructions

电源正端 VCC 电源负端 GND Channel A Channel B Channel Z

时序图 / Signal timing diagram



■ 特殊可选规格 / Special Specifications Available

特殊轴型 / Special shaft

可根据客户要求定做特殊轴长、特殊轴径或轴上特殊加工（铣平面、开槽、端部打孔、侧面打孔等）。
Special length of shaft, special diameter or special machining on shaft (like shaft slotted, fattened etc.) can be customized upon customer's request

* 如有其他特殊要求请与我们联系。For other special requirements, please contact with us.

(当产品带特殊规格时，其一般机械/电气性能和环境性能可能发生改变，请预先同我们确认。In case of the potentiometer with special specifications, the general mechanical, electrical specifications and environmental specifications may change. Please consult with us in advance.)

(为了不断改进质量和设计，所有内容均可能在没有事先通知的情况下进行改进。All details given in this catalog may be subject to change without prior notice in order to continuously improve qualities and designs of our products.)